



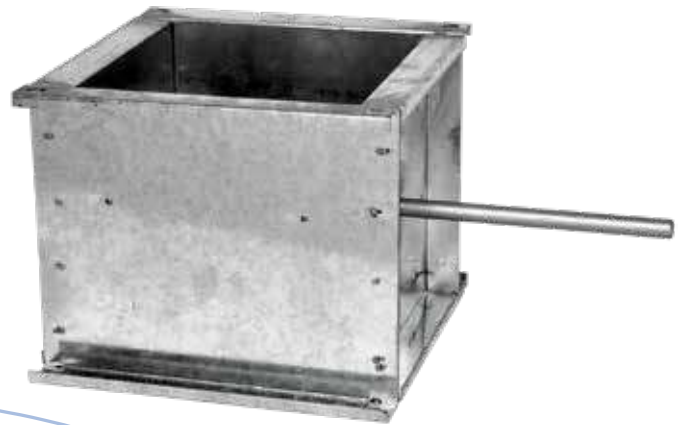
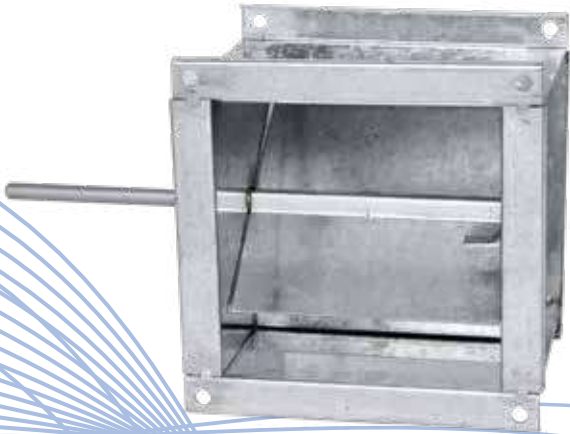
佳恒冷氣工程有限公司

Kai Hang Air-Cond. Eng Co. Ltd

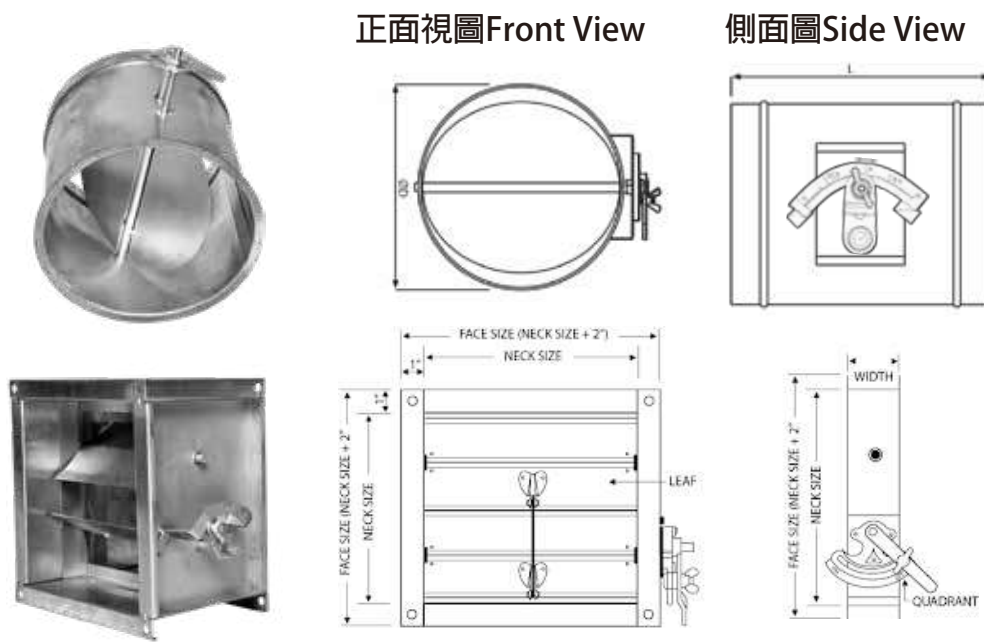
香港新界葵涌葵豐街41-45號安福工業大廈16樓H室
Block H, 16/F, On Fook Industrial Building,
41-45 Kwai Fung Crescent, Kwai Chung, N.T., Hong Kong
Fax: (852) 3171 7810 Phone: (852) 3171 7781, 3172 1073



調風閥 VOLUME DAMPER



調風閥 VOLUME DAMPER



產品規格 Product Specifications

材質: 0.8 - 1.2 mm 鋅鐵框 (0.8 - 1.2 mm G.I. Channel) 可選材質: 不鏽鋼 (SUS304, SUS316 Stainless steel)

厚度: 150 mm (150 mm Width))

葉片 (Blade): 材質: 0.6 mm 鍍鋅鐵雙層翼型葉片 (0.6 mm G.I. Double Skin Aerofoil Blade)

軸 (Axles): 材質: Φ 10-12 mm 鐵料 (Φ 10-12 mm Mild Steel)

軸承 (Bearing): 材質: 銅製油套 (Brass Oilless)

手動控制 (Manual Control): 配備扇形調節器 (c/w Quadrant)

電動控制 (Motorized Control): 不包含馬達 (Actuator by others) 型號: VCD (Model VCD)

應用 (Application)

- 主要用途 (Primary Use): 安裝於通風系統、排氣設備或空調風管中，用於調節氣流流量 (Installed in ventilation systems, exhaust equipment, or air conditioning ducts to regulate airflow volume)

- 兼容性 (Compatibility): 適用於工業、商業和住宅的暖通空調系統 (Suitable for industrial, commercial, and residential HVAC systems)

調風閥 VOLUME DAMPER

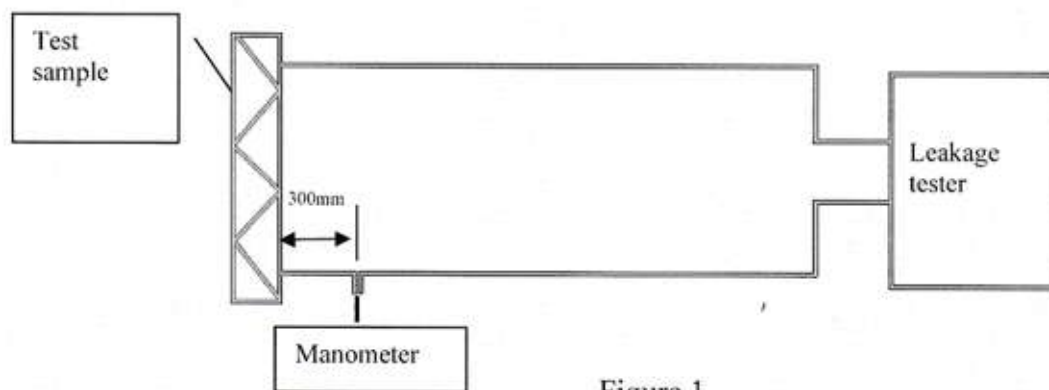


Figure.1

Equipment:	Leakage tester – PANDA Duct Leakage Tester (Model PAN341)
	Manometer – PVM610 Micromanometer

設計特點 Design Features

它主要安裝在通風和排氣設備或空調管道中，允許客戶透過調節閥片的開合角度來控制風量。

It is mainly installed in ventilation and exhaust equipment or air conditioning ducts, allowing customers to control the air volume by adjusting the opening angle of the valve blades.

控制機制 (Control Mechanism):

- 手動操作，帶圓形手柄開關
Manual operation with a circular handle switch
- 可選電動執行器實現自動控制
Optional electric actuator for automated control
- 葉片調節 (Blade Adjustment):
 - 可調節葉片角度範圍：0° - 90° 可在任意位置固定
Adjustable blade angle range: 0° - 90° , fixable at any position
- 密封性能 (Sealing Performance):
 - 高密封效率，在2000Pa壓力下經過10次開關循環測試
High sealing efficiency, tested under 2000Pa pressure with 10 open/close cycles

調風閥 VOLUME DAMPER

合規與出口要求 Compliance & Export Requirements

- 認證類型 (Certification Types):
- FCC SDOC: 適用於非無線發射組件 (如手動調風閥)
(For non-transmitting components, e.g., manual dampers)

其他說明 Additional Notes

- 定制服務 (Customization): 可提供特殊尺寸和配置 (方形或圓形)
(Available in bespoke sizes and configurations, square or round)
- 耐用性 (Durability): 經過極端條件測試 (2000Pa壓力, 循環操作)
(Tested under extreme conditions: 2000Pa pressure, cyclic operations)



*如需詳細認證流程或技術諮詢，請聯繫製造商。

*For detailed certification processes or technical inquiries, please contact the manufacturer.