



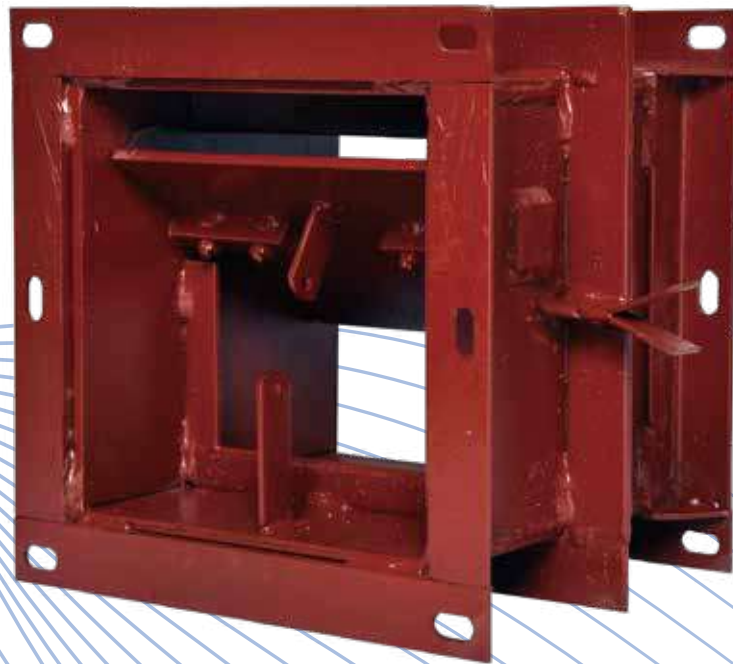
佳恒冷氣工程有限公司

Kai Hang Air-Cond. Eng Co. Ltd

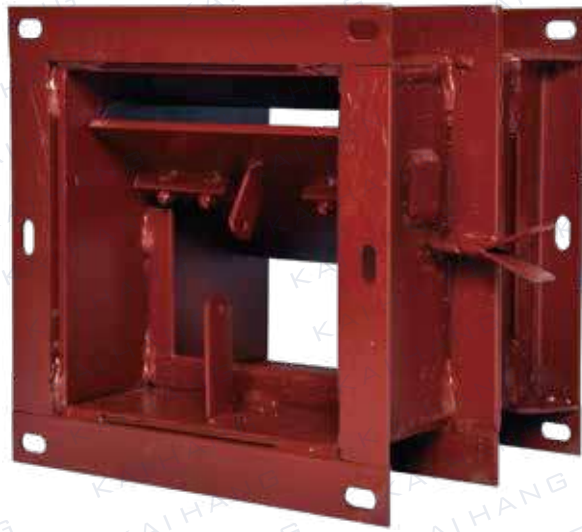
香港新界葵涌葵豐街41-45號安福工業大廈16樓H室
Block H, 16/F, On Fook Industrial Building,
41-45 Kwai Fung Crescent, Kwai Chung, N.T., Hong Kong
Fax: (852) 3171 7810 Phone: (852) 3171 7781, 3172 1073



FIRE DAMPER



FIRE DAMPER



APPLICATION

Fire dampers are typically used for control in ventilation systems. In the event of a fire, the fire damper will automatically close to prevent air from entering the room, thus preventing the spread of fire.

CONSTRUCTION

1. Casing: 6.0mm thick mild steel sheet
2. Blade Shafts: mild steel rod/square tube
3. Fire Rating: 4 hours
4. Finish: Red Lead Primer
5. Fusible Link: 68.33°C (Option)

STANDARD SIZES

Damper Size: 150<W<600 (mm), 150<L<1000 (mm)
Depth: D=200 mm

CONSTRUCTION DRAWING

