



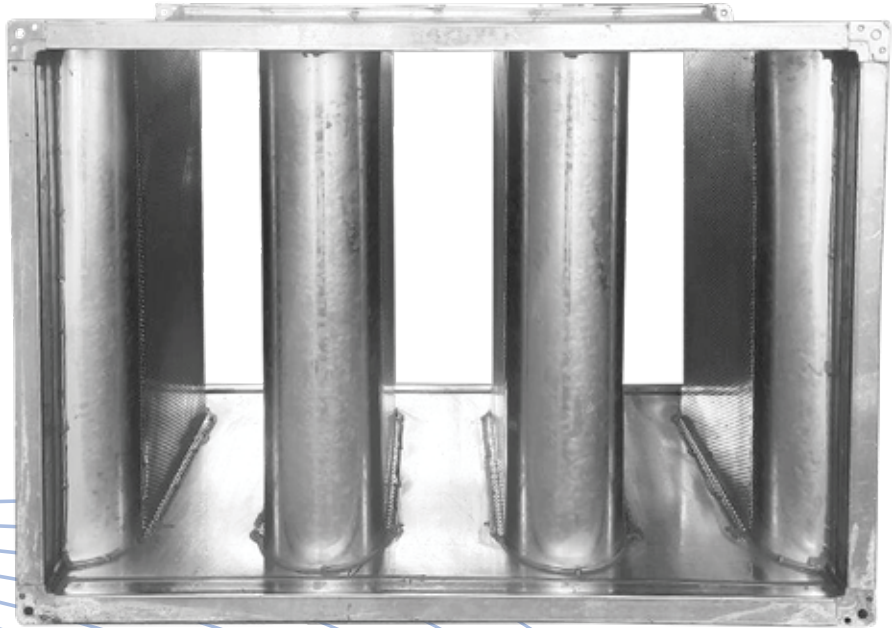
佳恒冷氣工程有限公司 Kai Hang Air-Cond. Eng Co. Ltd

香港新界葵涌葵豐街41-45號安福工業大廈16樓H室
Block H, 16/F, On Fook Industrial Building,
41-45 Kwai Fung Crescent, Kwai Chung, N.T., Hong Kong
Fax: (852) 3171 7810 Phone: (852) 3171 7781, 3172 1073



證書編號: 91441900338110581M

SILENCER



SILENCER



APPLICATION

The SILduct range of Attenuators is designed for inclusion in ductwork systems or for direct connection to fan or A.H.U., inlet and discharge.

The SILduct range offers infinite flexibility of size and performance and all models can be supplied in any of the nine different material specifications including PVC, glass fibre, aluminium and stainless steel, in addition to the standard pre-galvanised steel construction.

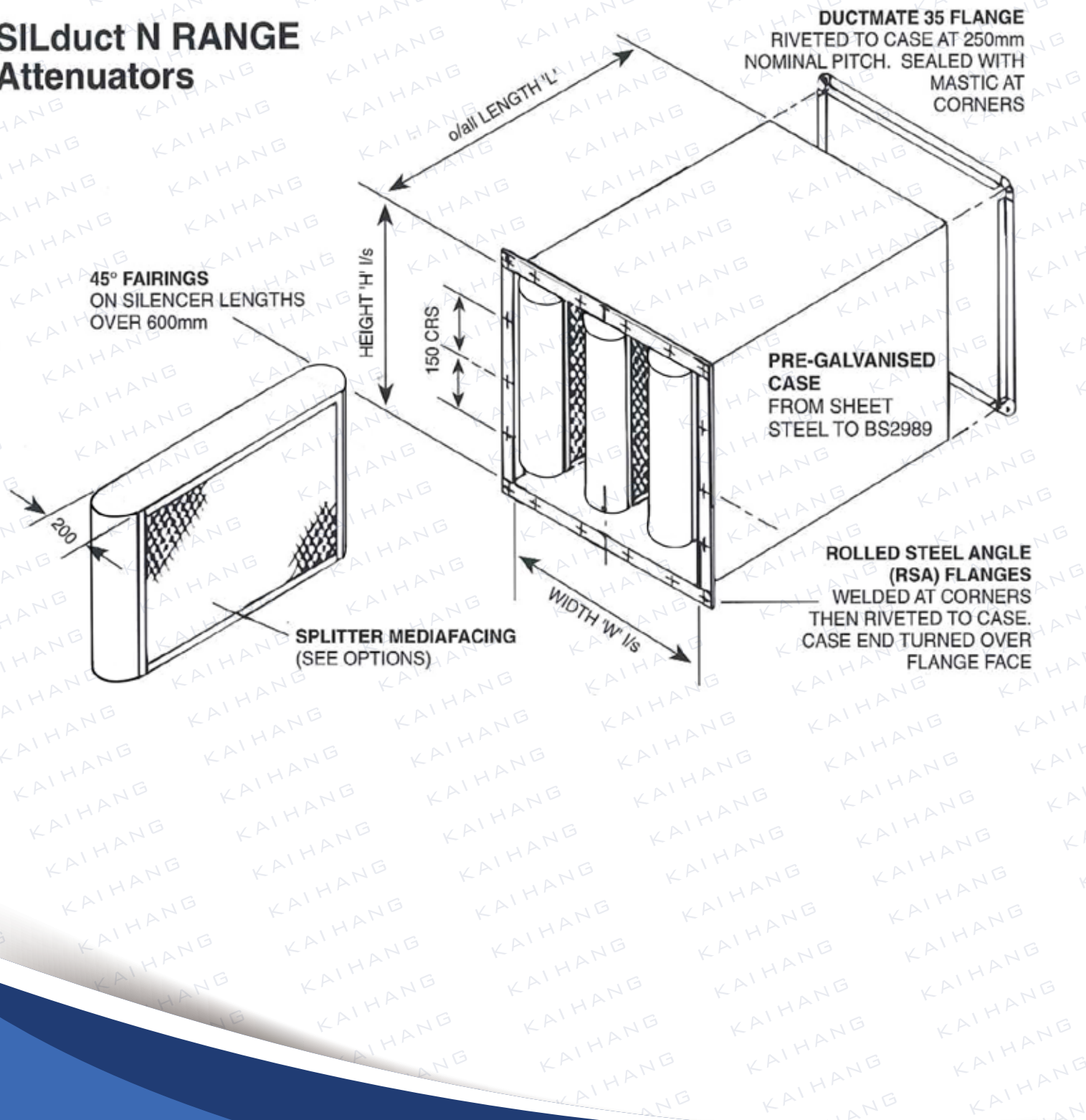
ADVANTAGES

SILduct Silencer Units may be used in high or low velocity systems; process air handling; dust extraction; wet or dry fume extraction; offshore installations and gas, turbine intake systems.

In addition, there is a special SILduct range available for hospital installations.

CONSTRUCTION DRAWING

SILduct N RANGE Attenuators





佳恒冷氣工程有限公司 Kai Hang Air-Cond. Eng Co. Ltd

香港新界葵涌葵豐街41-45號安福工業大廈16樓H室
Block H, 16/F, On Fook Industrial Building.,
41-45 Kwai Fung Crescent, Kwai Chung, N.T., Hong Kong
Fax: (852) 3171 7810 Phone: (852) 3171 7781, 3172 1073



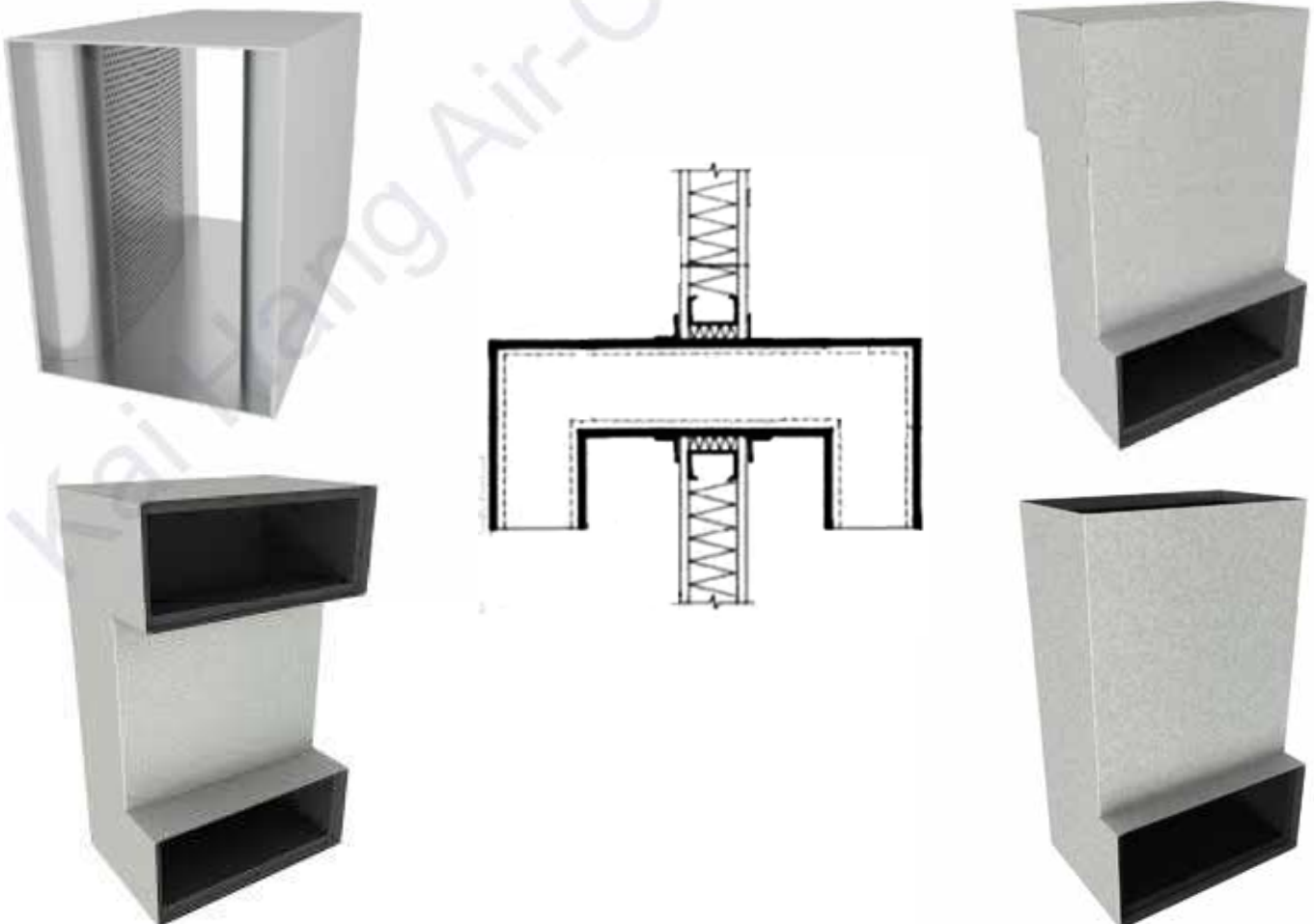
CROSS-TALK SILENCER

APPLICATION

The Crosstalk Silencers are designed to maintain sound transmission ratings in low velocity air transfer between adjoining spaces and commonly used to prevent speech intrusion into adjacent rooms. Available for a variety of applications including walls, ceilings, and doors.

ADVANTAGES

The acoustic baffles provide attenuation of speech and unwanted noise while permitting air to circulate.





佳恒冷氣工程有限公司 Kai Hang Air-Cond. Eng Co. Ltd

香港新界葵涌葵豐街41-45號安福工業大廈16樓H室
Block H, 16/F, On Fook Industrial Building,
41-45 Kwai Fung Crescent, Kwai Chung, N.T., Hong Kong
Fax: (852) 3171 7810 Phone: (852) 3171 7781, 3172 1073



證書編號: 91441900338110581M

CROSS-TALK SILENCER

PHISICAL DATA

The Cross-Talk Silencer can be tailor made as 4 kinds of shape -- U-shape, Straight, L-shape and Z-Shape.

The Dimension can also vary as

Width, W 300 to 1200 in increments of 150mm

Depth, D 250, 300 & 400mm

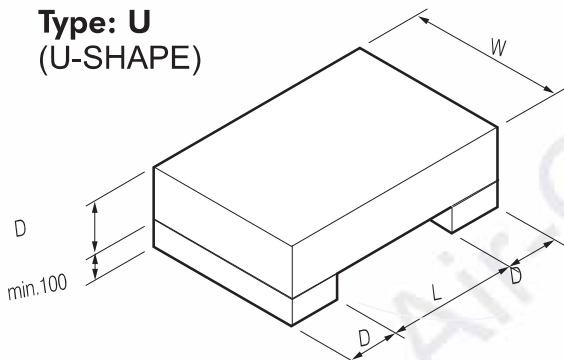
Length, L 900, 1200 & 1800mm

AIR PERFORMANCE DATA

D-Depth, mm	Air Volume, L/sec					
	300		400		600	
	W-width, mm					
	600	750	900	1050	1200	
250	60	90	150	190	240	330
300	80	120	200	260	320	440
400	---	180	300	380	480	660

The air flows tabulated are based upon a maximum pressure loss of 15 Pa and velocity of 2m/s.

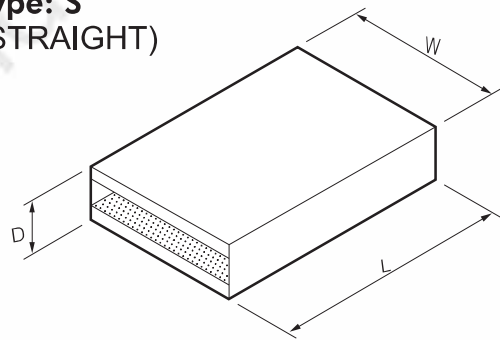
Type: U
(U-SHAPE)



Transmission Loss, dB

Length-L mm	Octave Band Centre Frequency (Hz)					
	125	250	500	1k	2k	4k
900/1200	15	20	24	35	38	35
1800	21	28	36	40	40	40

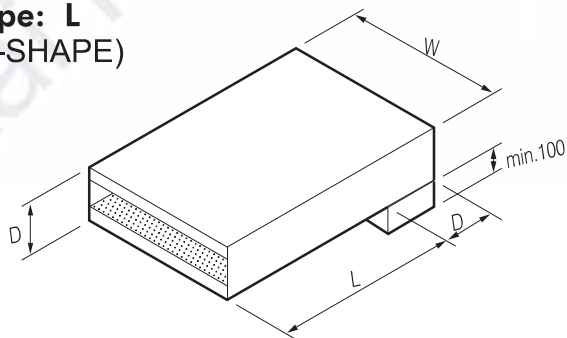
Type: S
(STRAIGHT)



Transmission Loss, dB

Length-L mm	Octave Band Centre Frequency (Hz)					
	125	250	500	1k	2k	4k
900/1200	14	18	21	29	30	25
1800	20	26	35	40	40	40

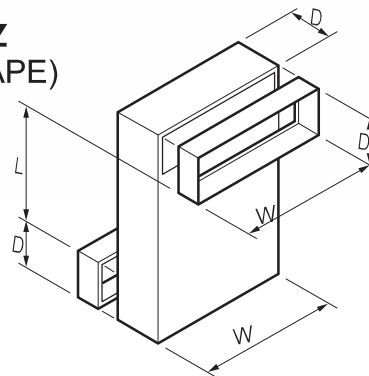
Type: L
(L-SHAPE)



Transmission Loss, dB

Length-L mm	Octave Band Centre Frequency (Hz)					
	125	250	500	1k	2k	4k
900/1200	15	19	23	31	35	30
1800	21	27	36	40	40	40

Type: Z
(Z-SHAPE)



Transmission Loss, dB

Length-L mm	Octave Band Centre Frequency (Hz)					
	125	250	500	1k	2k	4k
900/1200	15	20	24	35	38	35
1800	21	28	36	40	40	40