



佳恒冷氣工程有限公司

Kai Hang Air-Cond. Eng Co. Ltd

風喉,法蘭及配件 規格及說明

Factory Specifications and Standards
Of Air Ducts, Flanges and Fitting



佳恒冷氣工程有限公司

Kai Hang Air-Cond. Eng Co. Ltd

香港新界葵涌葵豐街41-45號

安福工業大廈16樓H室

Block H, 16/F., On Fook Industrial Building.,

41-45 Kwai Fung Crescent, Kwai Chung, N.T., Hong Kong

Fax: (852) 3171 7810

Phone: (852) 3171 7781, 3172 1073

東莞市尚豐空調配件有限公司

Dongguan Shangfeng Air Conditioning Parts Co., Ltd

東莞市道滘鎮南丫村衛屋小組萬金沙中路1號

01 Weiwu Group, Nanya Village, Daojiao Town,
Dongguan City, Guangdong Province, P.R. China

Fax: 0769-81216233

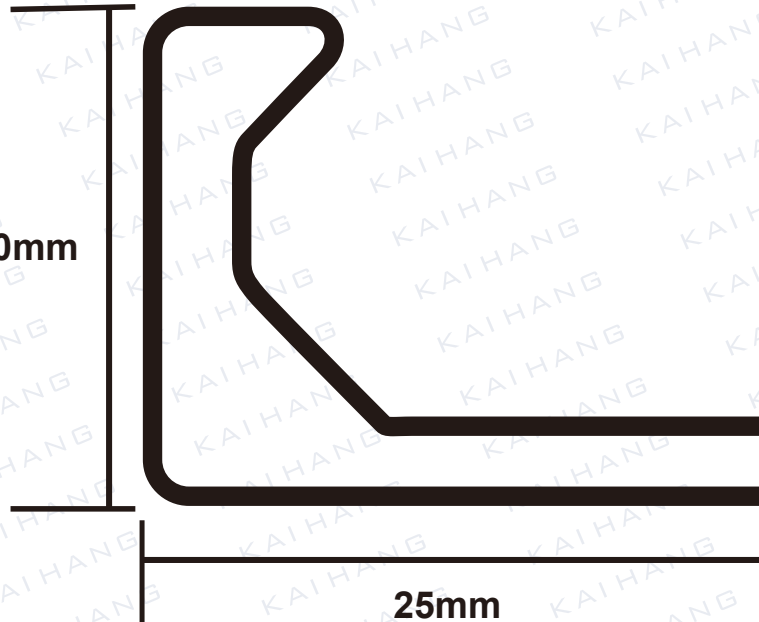
Phone: 0769-8121 6061, 8121 6062, 8121 6063



證書編號: 91441900338110581M

KH-20 Flange

Kai Hang Air-Cond .Eng. Co. Ltd
Slide-On Flange System



Fully comply to the most stringent standard and test in the field-DW/TMI.

Model No:

KH-20F

Product Description:

Kai Hang 20 Flange



Manufactures from:
Galvanized Steel Z275
304 Stainless Steel
316 Stainless Steel



Weight:
0.53kg/m



Packing Detail:
5m each

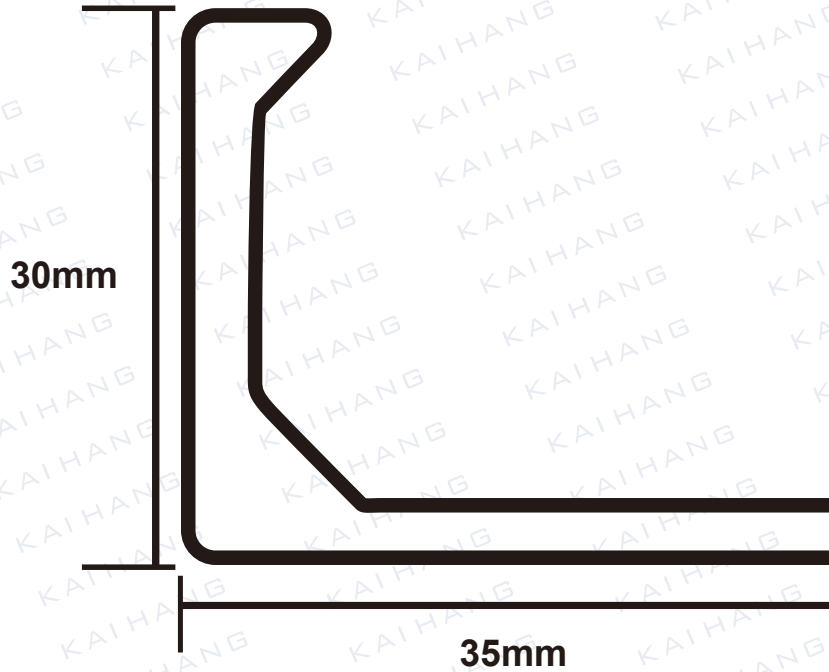
Health & Safety

Due to the insert nature of the KH-20F component parts, we consider the product represents no danger to health.

All information provided is correct at time of publication. The company has a policy of continuous product development and right to alter specification without prior notice.

KH-30 Flange

Kai Hang Air-Cond .Eng. Co. Ltd
Slide-On Flange System



Fully comply to the most stringent standard and test in the field-DW/TMI.

Model No:

KH-30F

Product Description:

Kai Hang 30 Flange



Manufactures from:
Galvanized Steel Z275
304 Stainless Steel
316 Stainless Steel



Weight:
0.9kg/m



Packing Detail:
5m each

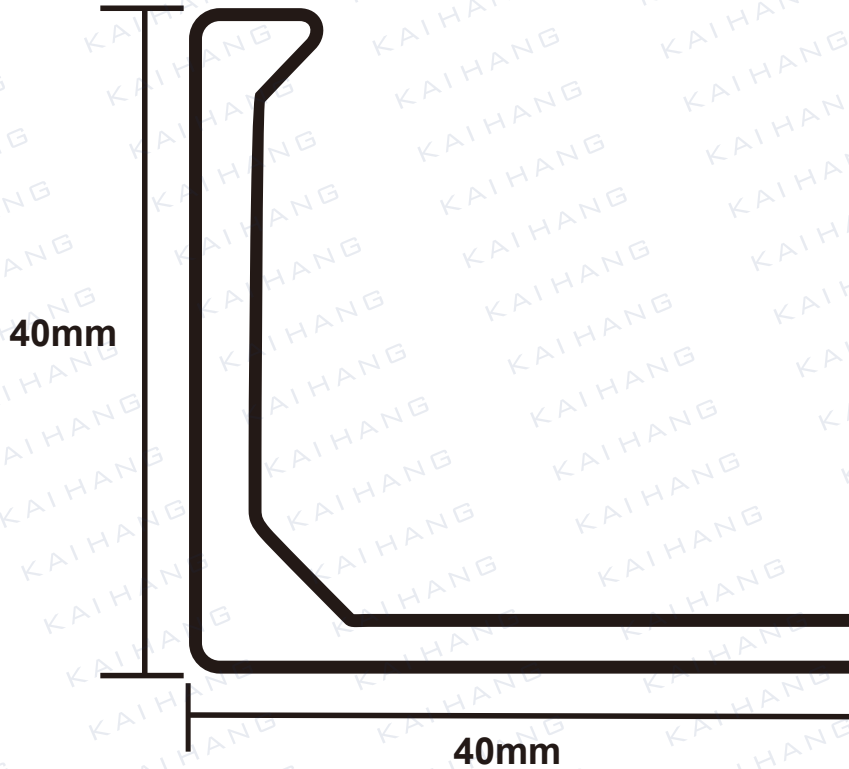
Health & Safety

Due to the insert nature of the KH-30F component parts, we consider the product represents no danger to health.

All information provided is correct at time of publication. The company has a policy of continuous product development and right to alter specification without prior notice.

KH-40 Flange

Kai Hang Air-Cond .Eng. Co. Ltd
Slide-On Flange System



Fully comply to the most stringent standard and test in the field-DW/TMI.

Model No:

KH-40F

Product Description:

Kai Hang 40 Flange



Manufactures from:
Galvanized Steel Z275
304 Stainless Steel
316 Stainless Steel



Weight:
1.361kg/m

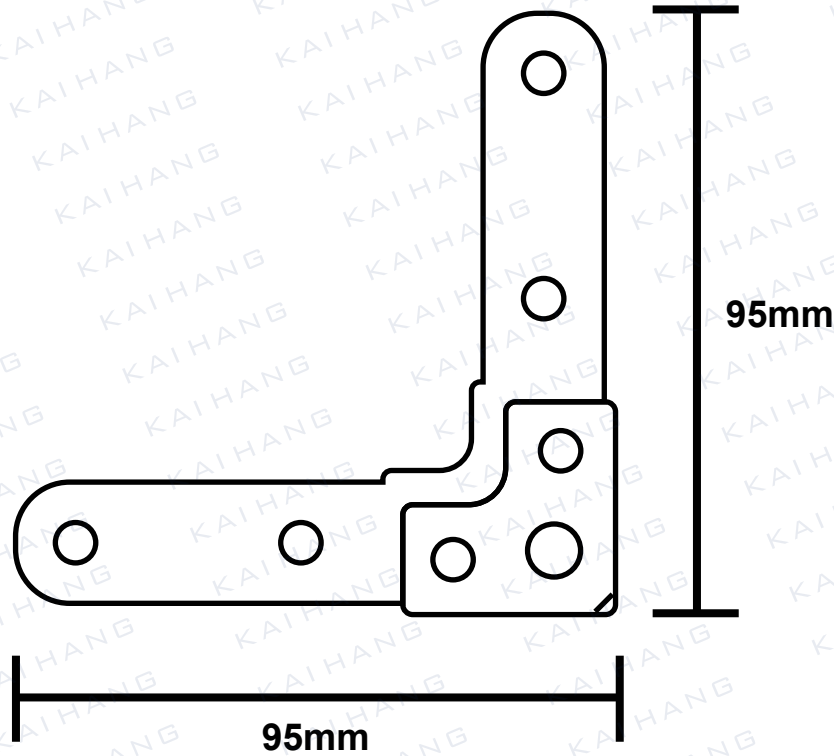


Packing Detail:
5m each

Health & Safety

Due to the insert nature of the KH-40F component parts, we consider the product represents no danger to health.

All information provided is correct at time of publication. The company has a policy of continuous product development and right to alter specification without prior notice.



Fully comply to the most stringent standard and test in the field-DW/TMI.

Model No:

KH-20C

Product Description:

Kai Hang 20 Corner



Manufactures from:
Galvanized Steel
304 Stainless Steel
316 Stainless Steel



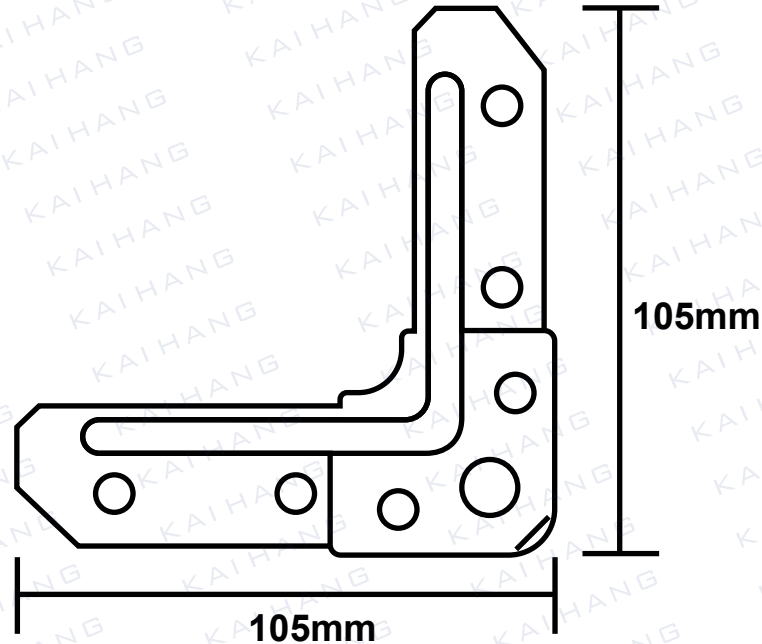
Weight:
0.048kg/m



Packing Detail:
500 pcs per box

Health & Safety

Due to the insert nature of the KH-20C component parts, we consider the product represents no danger to health.



Fully comply to the most stringent standard and test in the field-DW/TMI.

Model No:

KH-30C

Product Description:

Kai Hang 30 Corner



Manufactures from:

Galvanized Steel
304 Stainless Steel
316 Stainless Steel



Weight:

0.09kg/m

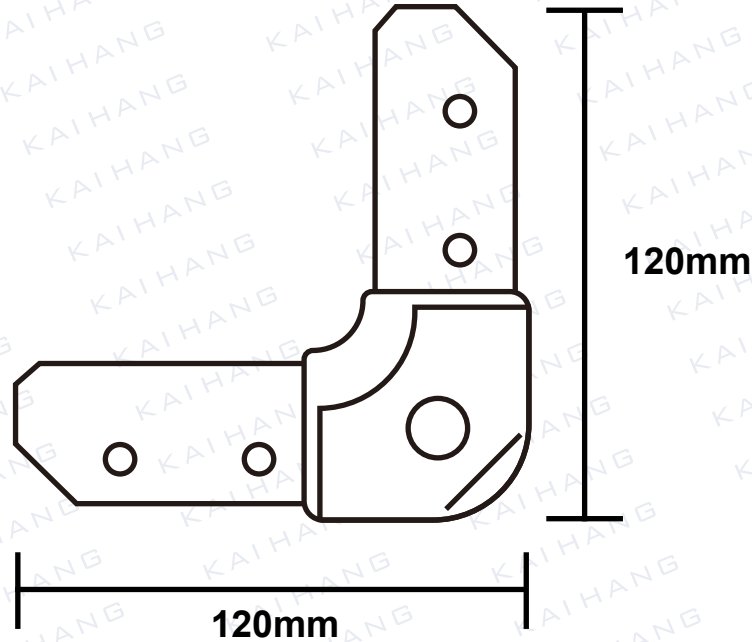


Packing Detail:

200 pcs per box

Health & Safety

Due to the insert nature of the KH-30C component parts, we consider the product represents no danger to health.



Fully comply to the most stringent standard and test in the field-DW/TMI.

Model No:

KH-40C

Product Description:

Kai Hang 40 Corner



Manufactures from:

**Galvanized Steel
304 Stainless Steel
316 Stainless Steel**



Weight:

0.18kg/m



Packing Detail:

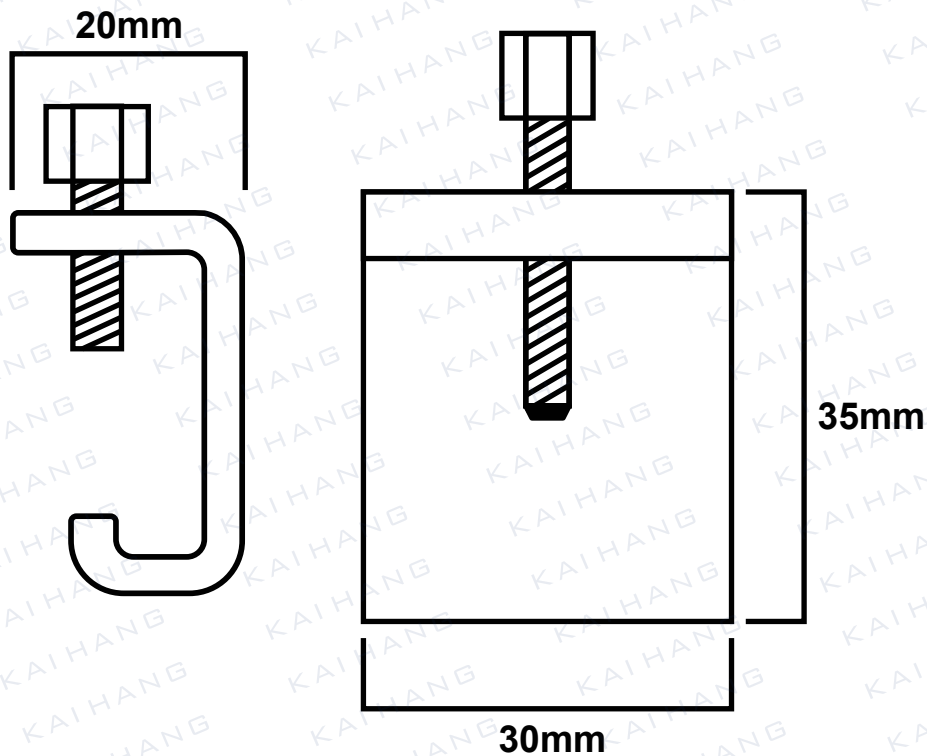
100 pcs per box

Health & Safety

Due to the insert nature of the KH-40C component parts, we consider the product represents no danger to health.

The Kai Hang Flange Clamp

The KH Clamp is for the intermediate clamping of Silde on Flange Systems, it can be used in coniuinction with all Rectangular Flanges Systems.



Model No:

KH-GC

Product Description:

Kai Hang G-Clamp



Manufactures from:

Galvanized Steel
304 Stainless Steel
316 Stainless Steel



Weight:

0.06kg/m



Packing Detail:

250 pcs per box

All information provided is correct at time of publication. The company has a policy of continuous product development and right to alter specification without prior notice.